

Steel/innox roller telescopic slides TLAZ, TLAX, TQAZ, TQAX

The TLAZ and TQAZ slides are made from robust rolled steel profiles and precision bearings, for smooth and precise movement along with interesting load capacities. The TLAZ comes with an intermediate element to offer higher load capacities than the TQAZ for the medium/longer stroke versions.

These slides represent T RACE's most economical telescopic slides, but nothing compared with cheap furniture drawer-slides, based on ball-cage movement. The slides are for application where TLS/TSQ/TLR/TQL28 can't meet the target price or where commercial drawer slides can't meet the requested quality and smooth movement.

The slides are available in standard steel version and complete INOX versions: TLAX, TQAX. The INOX versions offer same performance as standard and with same dimensions.

The slides offer a stroke equal to the length of the slide. The roller bearings are with 2Z seals and lubed for life. Thanks to high temperature

grease, the TLAZ and TQAZ are also suitable for application with constant temperature of 170° celcius

The slides come all with strong damping rubber end-stops, which together with the rolling movement assure very silent function.

Roller telescopic slides TLAX, TQAX

Same dimensions and performance as standard version. All components is INOX. The roller bearings have 2RS seal and lubed for life with grease for alimentary and low temperature applications. Ideal slides for use in medical, chemical, alimentary industries, or in high corrosive ambients as marine equipment also for clean room usage, as very low emission of particles.

The slides can easily be washed, due to its open construction.

TLAZ, TLAX

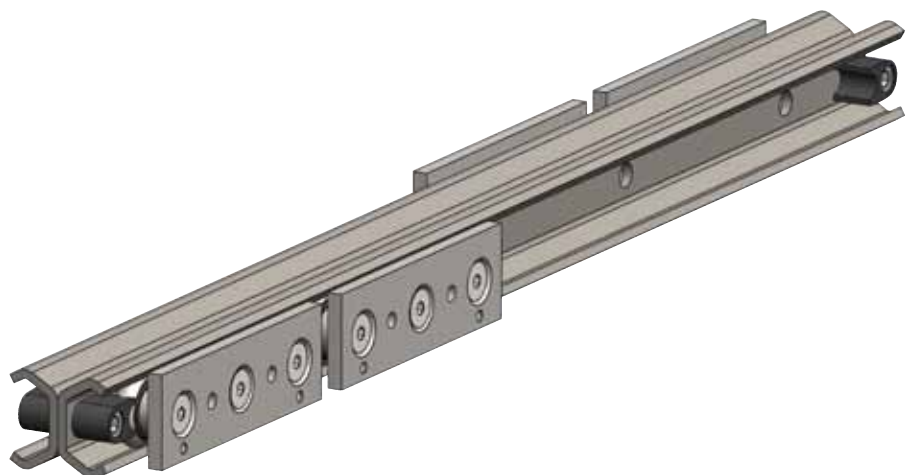
The TLAZ, TLAX slides have vertical intermediate element to provide good load capacities. Designed for installation at the sides of mobile part for horizontal extension.

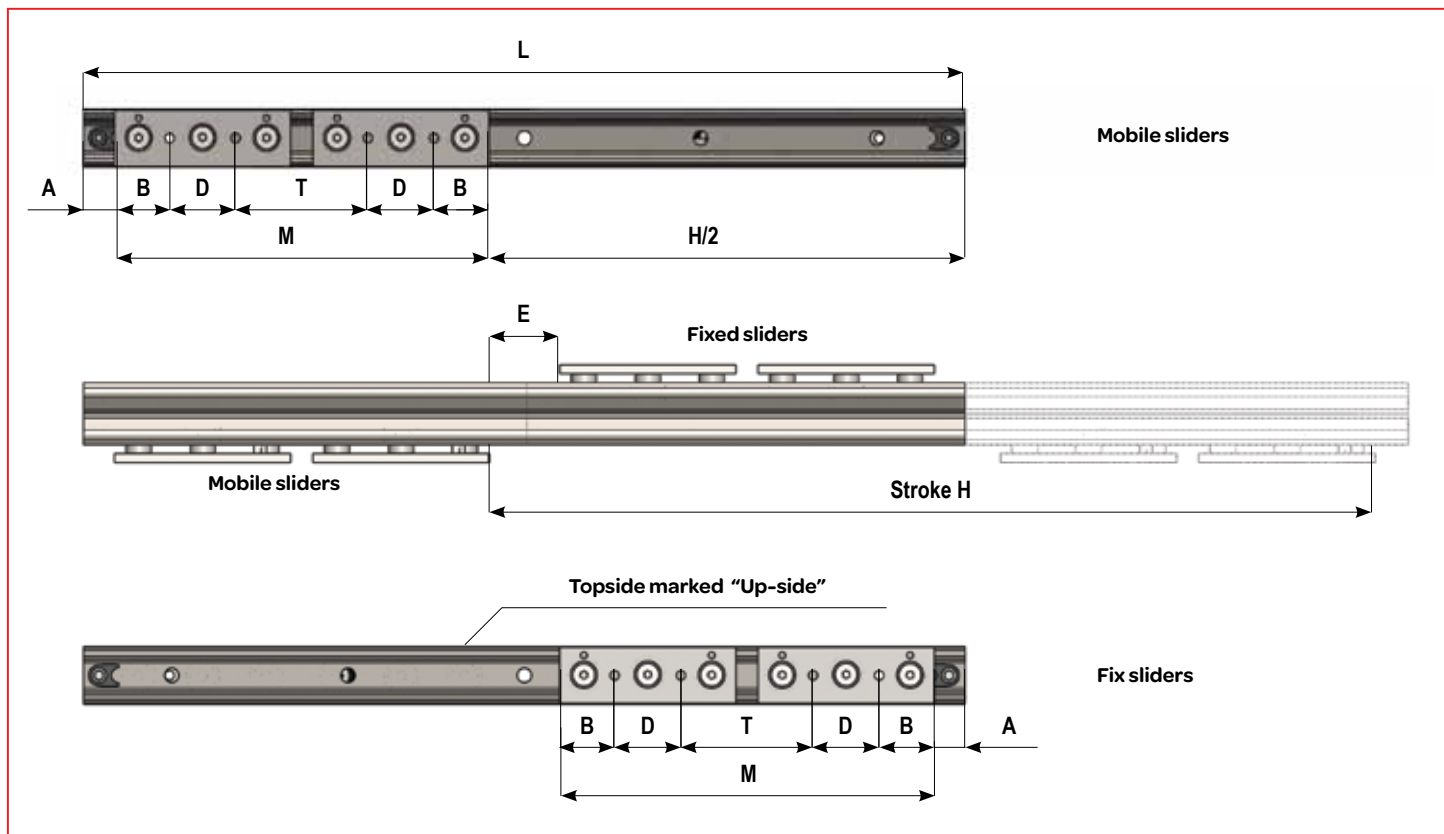


TQAZ, TQAX

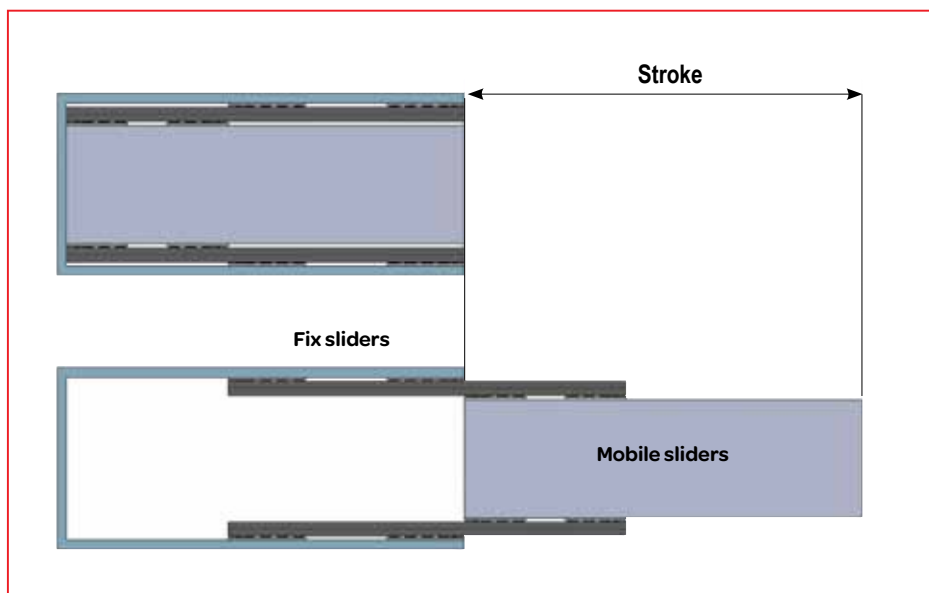
The TQAZ, TQAX slides have a very compact and squared design, obtained by welding the two rails together, in which are running a pair of 3-roller sliders on each side. Fixed structure and mobile part are fixed to the sliders. The slide offer a stroke equal to its length. Suitable also for vertical applications.

Due to its independent sliders, the TQAZ slide allows to optimize the stroke for each version. Just by positioning the slides more close together, for longer stroke, but reducing load capacity, or further apart for shorter stroke and higher load capacity. Similar to TLQ page 47, kindly check for further info.





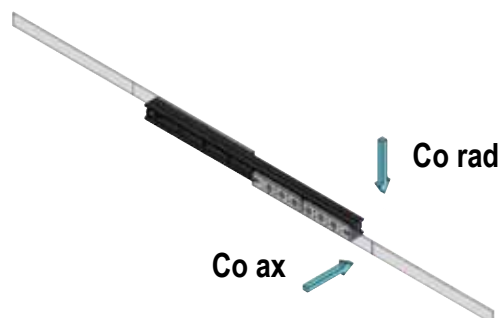
The nominal stroke H is obtained by placing the fixed and mobile sliders spacing them at the distance T.



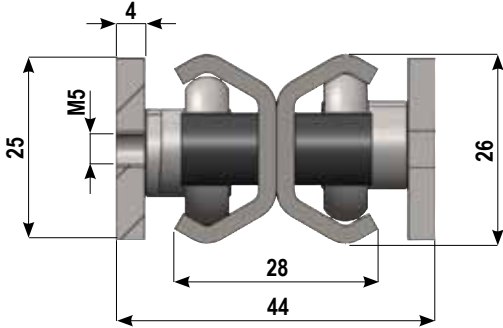
The slide must be installed with the mark "Up-side" facing upwards.

The sliders fixed to structure are marked "Fix-sliders" while when once fixed to mobile part are marked "Mobile sliders". When used in pair, the same slide can be installed left or right, just by rotating the slide 180° degrees horizontally, keeping the mark "Up-side" facing upwards.

Fixing hole position of sliders				
Type	A	B	D	E
TQA.26	14	25	30	28
TQA.40	0	7,5	120	0



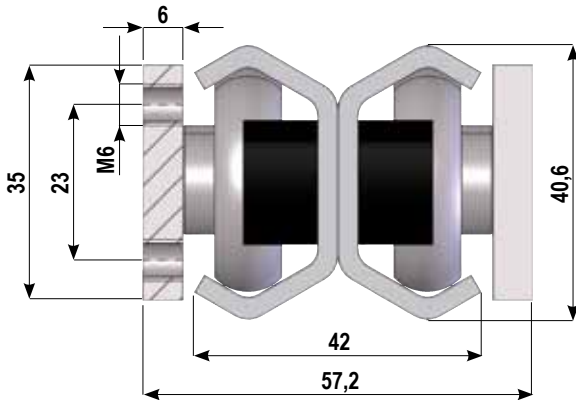
TQAZ26, TQAX26



Weight of the 4 sliders: 0,4 kg
Weight of the rail: 1,5 kg/m

Code	Lenght L (mm)	Stroke H (mm)	Distance sliders M (mm)	T (mm)	Load capacity Co rad (N)	Load capacity Co ax (N)
TQA.26-400	400	400	172	62	417	208
TQA.26-450	450	450	197	87	465	232
TQA.26-500	500	500	222	112	503	251
TQA.26-550	550	550	247	137	533	262
TQA.26-600	600	600	272	162	513	243
TQA.26-650	650	650	297	187	479	227
TQA.26-700	700	700	322	212	450	213
TQA.26-750	750	750	347	237	424	201
TQA.26-800	800	800	372	262	400	190
TQA.26-850	850	850	397	287	379	180
TQA.26-900	900	900	422	312	361	171
TQA.26-1000	1000	1000	472	362	328	156
TQA.26-1100	1100	1100	522	412	301	143
TQA.26-1200	1200	1200	572	462	278	132

TQAZ40, TQAX40



Weight of the 4 sliders: 1,6 kg
Weight of the rail: 3,2 kg/m

Code	Lenght L (mm)	Stroke H (mm)	Distance sliders M (mm)	T (mm)	Load capacity Co rad (N)	Load capacity Co ax (N)
TQA.40-600	600	600	300	45	991	495
TQA.40-650	650	650	325	70	1043	521
TQA.40-700	700	700	350	95	1087	543
TQA.40-750	750	750	375	120	1125	525
TQA.40-800	800	800	400	145	1157	497
TQA.40-850	850	850	425	170	1113	471
TQA.40-900	900	900	450	195	1059	449
TQA.40-1000	1000	1000	500	245	966	409
TQA.40-1100	1100	1100	550	295	888	376
TQA.40-1200	1200	1200	600	345	821	348
TQA.40-1300	1300	1300	650	395	764	323
TQA.40-1400	1400	1400	700	445	714	302
TQA.40-1500	1500	1500	750	495	670	284
TQA.40-1600	1600	1600	800	545	632	267

The TQAX are complete INOX slides, same dimensions and performances as standard steel version TQAZ. Load capacity indicated for single slide.